

Technical Sheet

GL OPTICAM 2.0 4K TEC

Imaging Luminance Meter (ILM) dedicated for light sources of various size as LCD screens or backlit electronic modules. System is based on 4K resolution monochromatic CMOS sensor with V(λ) filter. Standard option is equipped with 50 mm focal length lens while others are available on request. Dedicated software contains multiple universal analysis tools as: marking of spots of interest, representation of levels in false-color scale, statistical parameters, histograms, linear cross-sections, 3D luminance imaging.

Features:

- Spectral response of class A
- Wide dynamic range
- Controlled via USB connection
- Temperature stabilized sensor
- Automatic detection of lens and filters
- User friendly analysis software



APPLICATION

Light sources, displays, luminous and illuminated surfaces

MEASUREMENTS

Imaging resolution	4096 x 2168 (4K, 9 MPix)
A/D conversion	12 bit
Measurement range	0.01 cd/m ² ... 150000 cd/m ² (range depends on lens aperture) (ND filter for higher range available on request)
Resolution	0.01 cd/m ²
Dynamic range	1:15000000
Focus distance	200 mm to infinity (depends on lens type)
Minimum working area	56 mm x 30 mm (at 200 mm distance) (will vary depending on lens type)
Uncertainty of spectral response	Class A (f1') < 3 %
Integration time	50 μ s ... 10 s

PROPERTIES

Measuring sensor type	CMOS monochromatic matrix with a spectral response V(λ) filter
Optical system	50 mm F/1.8 lens (different available on request)
Dimensions [H x W x D]	149 mm x 229 mm x 265mm
Weight	5.0 kg
PC Connectivity	USB 3.0
Power source	15V DC power adapter (optional battery pack)
Tripod adapter	BSW 1/4"

ORDERING INFORMATION

Case	✓
USB cable	✓
Part number	202601

Note: Instrument, firmware and software specification are subject to change without prior notice. All information included in GL OPTIC datasheets and product information available in any form are carefully prepared and included information believed to be true. Please note that discrepancies may occur due to text and/or other errors or changes in the available technology. We advise to contact GL Optic before the use of the product to obtain the latest product specification.

GL OPTIC Polska Sp. z o.o. Sp.k

ul. Poznańska 70, 62-040 Puszczykowo, Poland
 Phone: +48 61 819 40 03 | E-mail: office@gloptic.com
www.gloptic.com



PEO B.V.

info@gotopeo.com
www.gotopeo.com

The Netherlands

Havenweg 16, 6603 AS Wijchen
 +31 (0)24 648 86 88

Belgium

Watermolenstraat 2, B-2910 Essen
 +32 (0)3 309 32 09

CoC 34107894

VAT NL807859151B01

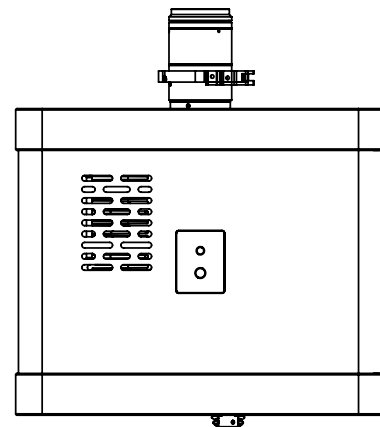
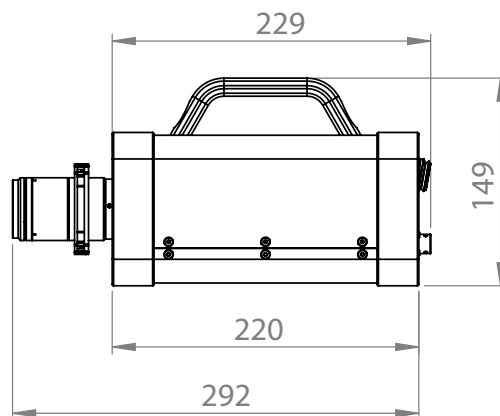
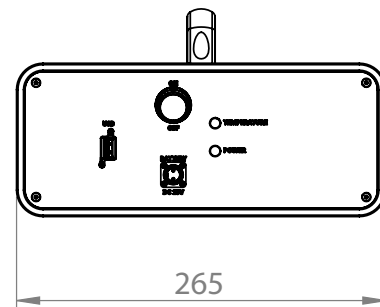
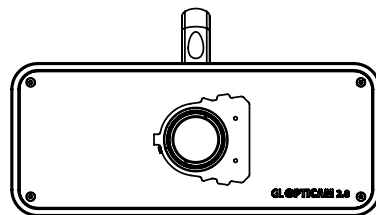
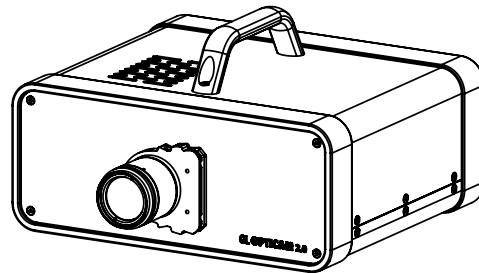
IBAN NL29 RABO 0356 1960 46

BIC RABONL2U



Technical Sheet

GL OPTICAM 2.0 4K TEC



GL OPTIC Polska Sp. z o.o. Sp.k

ul. Poznańska 70, 62-040 Puszczykowo, Poland
 Phone: +48 61 819 40 03 | E-mail: office@gloptic.com
www.gloptic.com



PEO B.V.
info@gotopeo.com
www.gotopeo.com

The Netherlands
 Havenweg 16, 6603 AS Wijchen
 +31 (0)24 648 86 88

Belgium
 Watermolenstraat 2, B-2910 Essen
 +32 (0)3 309 32 09

CoC 34107894
 VAT NL807859151B01

IBAN NL29 RABO 0356 1960 46
 BIC RABONL2U

