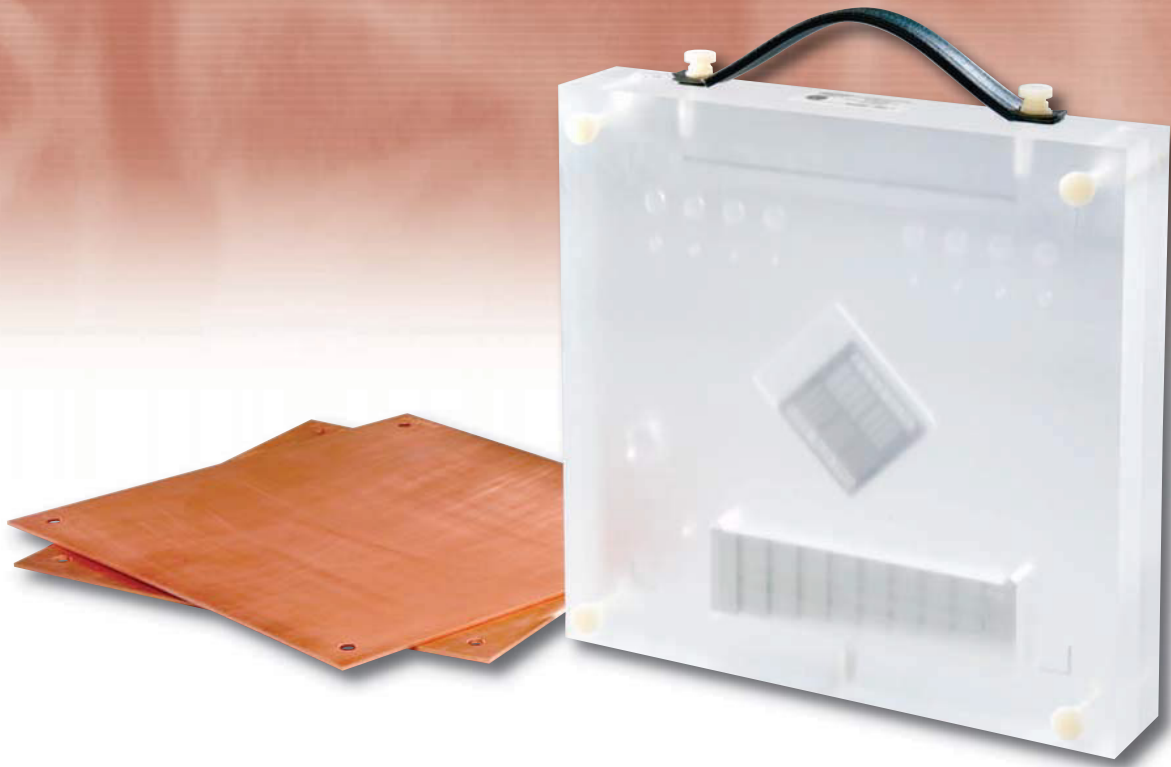


GAMMEX



DIAGNOSTIC RADIOLOGY



Radiographic Survey Phantom

GAMMEX 170NJ

The Gammex 170NJ phantom provides a simple and reproducible test tool for inter-facility surveys and intra-department comparison of radiographic systems. For routine quality control, the phantom provides a rapid assessment of high contrast resolution, low contrast detectability, radiographic exposure consistency as well as radiation light-field alignment and collimation accuracy. The phantom is designed for use in three ranges of clinical settings: extremity (no copper plates) in the range of 60 kVp, abdomen or lumbar spine (with 2.4m mCu

plate) in the range of 75 kVp, and chest (with 2.0m mCu plate) in the range of 120k Vp.

Specified for use by health physicists performing routine inspection, the Gammex 170NJ is designed with features to optimize portability and ease of use. Each phantom is equipped with a carrying strap, tripod mounting assembly and built-in levels for quick set up, and orientation in the variety of clinical settings encountered by inspection teams and consultants.



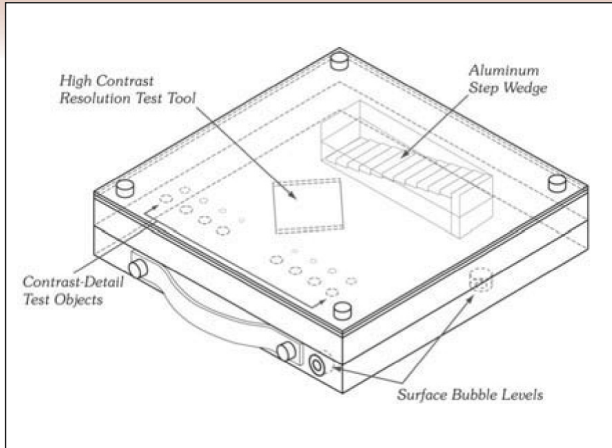
WWW.GAMMEX.COM



GAMMEX 170N J

DIAGNOSTIC RADIOLOGY

continued from front...



SPECIFICATIONS

Phantom Base Material

- (2)a acrylic blocks 3.9x3.9x.78 cm (10x10x2in) assembled
- (1) 2.0m mC up late, 3.9x3.9 cm (10x10in)
- (1) 2.4m mC up late, 3.9x3.9 cm (10x10in)

Imbedded Test Objects

Gammex 17 Aluminum step wedge
 11 steps; Dimensions: 5.5x1.5x1.37 in,
 step depth 0.5 in, step height 0.125 in

High contrast resolution test tool
 20 line pairs from 0.6lp/mm to 10lp/mm

Contrast-detail test objects
 Eight holes of 0.375in diameter with decreasing depths of: 0.006, 0.009, 0.013, 0.018, 0.025, 0.035, 0.049, 0.068in
 Tolerance ±0.0020in
 Two sets of four holes of 0.068in depth with decreasing diameters of: 0.2, 0.15, 0.1, 0.08in
 Tolerance ±0.0020in

Alignment and Orientation Markers
 Four corner markers for light field alignment
 Top edge reference line for film orientation
 Point alignment marker, 0.08in diameter, 0.75in deep
 Top and front surface bubble levels

Ergonomic Features
 Carrying strap
 Thread for tripod mounting
 Thumb screw fasteners for attaching copper attenuation plates.

